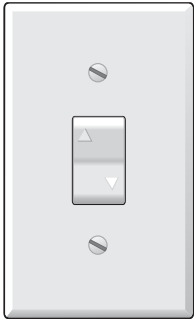




5 POSITION/2 SPEED ROCKER SWITCH FOR LT28 12V DC MOTOR

Installation and Operation Instructions



Cat. No.
6120742

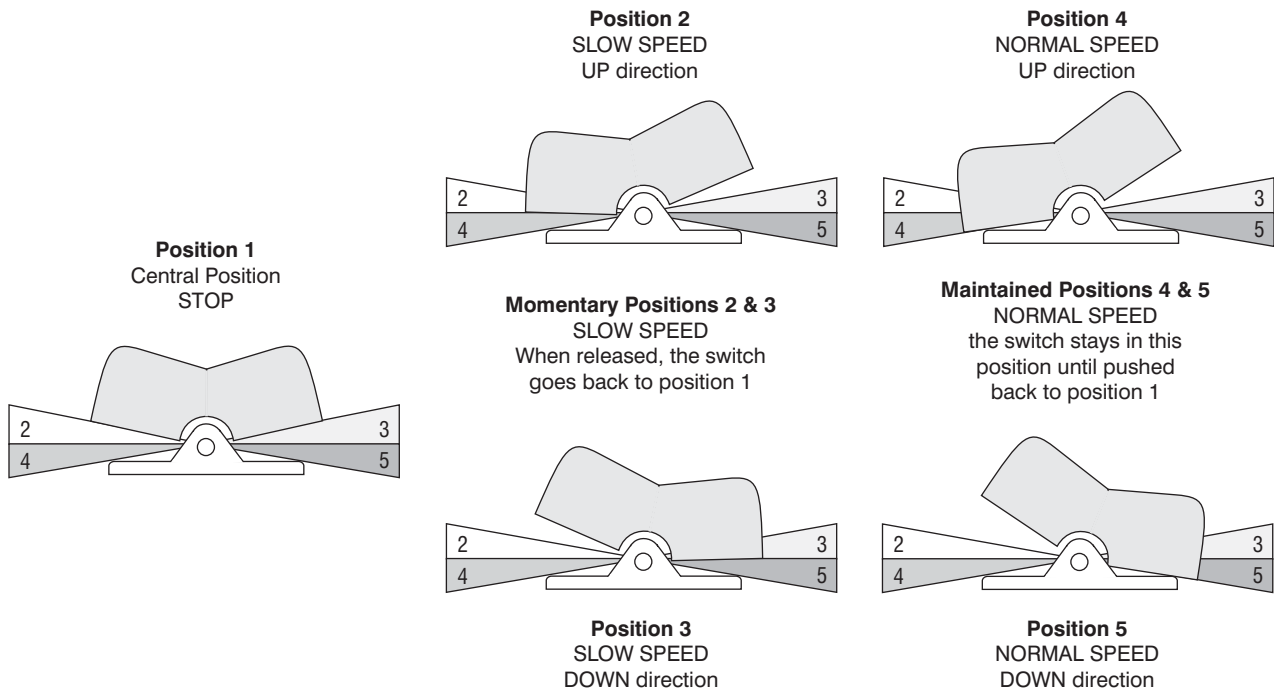
DESCRIPTION

This 5 position/2 speed (5P/2S) rocker switch can control one LT28 12V at 2 different speeds :

- **normal speed** of the LT28 at 12V (34 rpm)
- **slow speed** (done by reducing the input voltage with electronic components)

The slow speed is typically used to accurately position the vanes of a Silhouette shade, and to tilt horizontal blinds.

OPERATION



CHARACTERISTICS

The 5P/2S switch controls **ONE LT28**

Power supply : nominal 12V DC (Maximum 20V DC, Minimum 10V DC)

Use a class 2 transformer or a transformer with a fuse

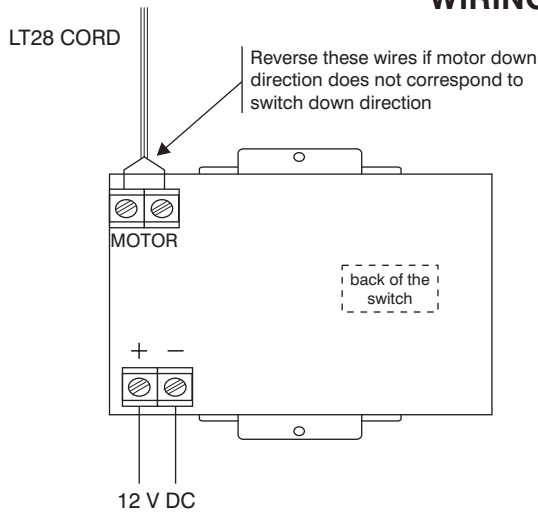
Maximum switching current : 0.85 Amps (corresponding to one LT28 12V)

Printed circuit board with :

- (1) 2 screw terminal block for power supply (+/- 12V)
- (1) 2 screw terminal block for motor supply (Up and Down)
- (1) potentiometer for slow speed setting

Slow speed : the output voltage varies, based upon the input voltage (see paragraph 4 on how to set the slow speed with the potentiometer).

WIRING

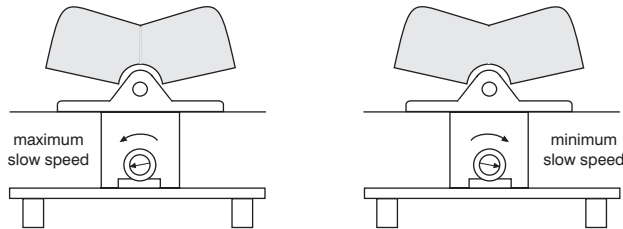


NOTES :
THIS SWITCH IS NOT PROTECTED AGAINST SHORT CIRCUITS. THE WIRING SHOULD BE COMPLETED BEFORE PLUGGING IN THE TRANSFORMER.

THE POLARITY OF THE SWITCH MUST BE CONSIDERED IN ORDER TO MAINTAIN PROPER OPERATION.

LOW SPEED SETTING

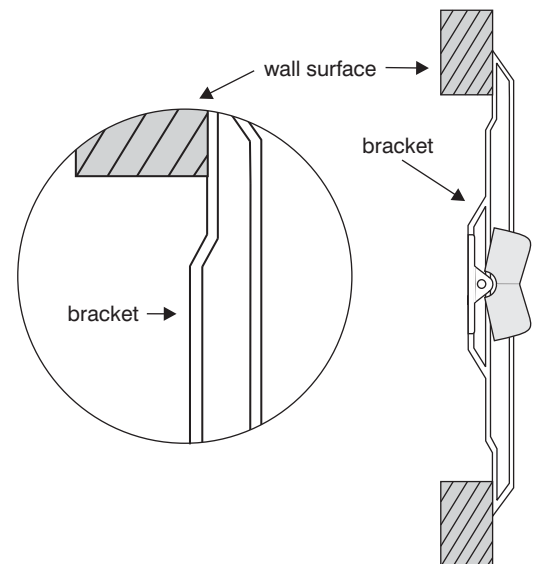
The switch is always set to the minimum slow speed at the factory. If because of a low voltage input, the motor does not start in slow speed, it is necessary to turn the potentiometer counter clockwise (toward maximum slow speed) until the motor starts in slow speed.



NOTE : THE SLOW SPEED MUST ONLY BE USED TO TILT THE SHADE

MOUNTING

The 5P/2S switch is packaged with a bracket and a one gang box-face plate. In order to properly position the switch with the face plate, the bracket must be mounted on the wall surface as shown in the drawing at right. The single gang box must be positioned accordingly.



SOMFY®

SOMFY SYSTEMS, INC.
 47 Commerce Drive
 Cranbury, NJ 08512

SOMFY CANADA
 6315 Shawson Drive, Unit #1
 Mississauga, Ontario L5T1J2

SOMFY MEXICO S.A. De C.V.
 Calle 3 No.47, Loc.E-5
 Fracc Ind. Alce Blanco
 Nau.,Edo. de Mex C.P. 53370,Mex