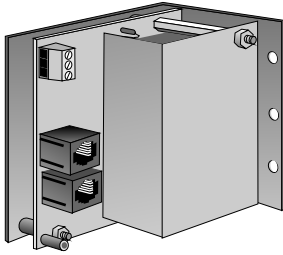




SINGLE MOTOR REMOTE

Installation and Operation Instructions

DESCRIPTION

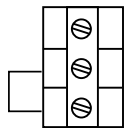


SOMFY'S Remote Control provides motor control from a distance through the use of radio technology. It is compatible with Stanley receivers and transmitters, so insect screens and garage doors can be operated from a single transmitter

The Digital Remote Control features an input to lock out the controller. This feature prevents the motor from starting, which may cause damage to an open door or window. It also has dry-contact output capability for operating other devices such as Somfy's GCS-II.

Catalog Number: 6300690

LOW VOLTAGE CONNECTIONS



REMOTE SWITCH
COMMON
N-C CONTACT



TO RADIO RECEIVER
or
NEXT REMOTE CONTROL

1. Connect the radio receiver to the either modular connector on the Remote Control.
2. A momentary dry contact (relay) closure is required between the REMOTE SWITCH input and COMMON. This contact should remain closed at least 0.5 seconds, but no more than 1 second. Each closure will sequence through the commands: UP, STOP, DOWN, STOP.
3. If used, connect external system wires to the N-C (normally closed) CONTACT input and COMMON. When this contact opens, the DOWN direction is disabled. **DO NOT REMOVE FACTORY INSTALLED JUMPER IF THIS FEATURE IS NOT USED.**

LINE VOLTAGE CONNECTIONS

Connect Motor & Power Cables to the Single Motor Remote according to the wiring chart below.
Line Voltage installation **MUST** comply with local and NEC codes.

| POWER | MOTOR | SINGLE MOTOR REMOTE |
|-------|-------|---------------------|
| BLACK | | BLACK & YELLOW |
| WHITE | WHITE | WHITE |
| GREEN | GREEN | GREEN |
| | RED | RED |
| | BLACK | BROWN |

Fuse rated at 5A, 250vAC

NOTE:

The yellow wire is provided on the Single Motor Remote for dry contact capability.

SOMFY CANADA

6315 Shawson Drive, Unit #1
Mississauga, Ontario L5T1J2

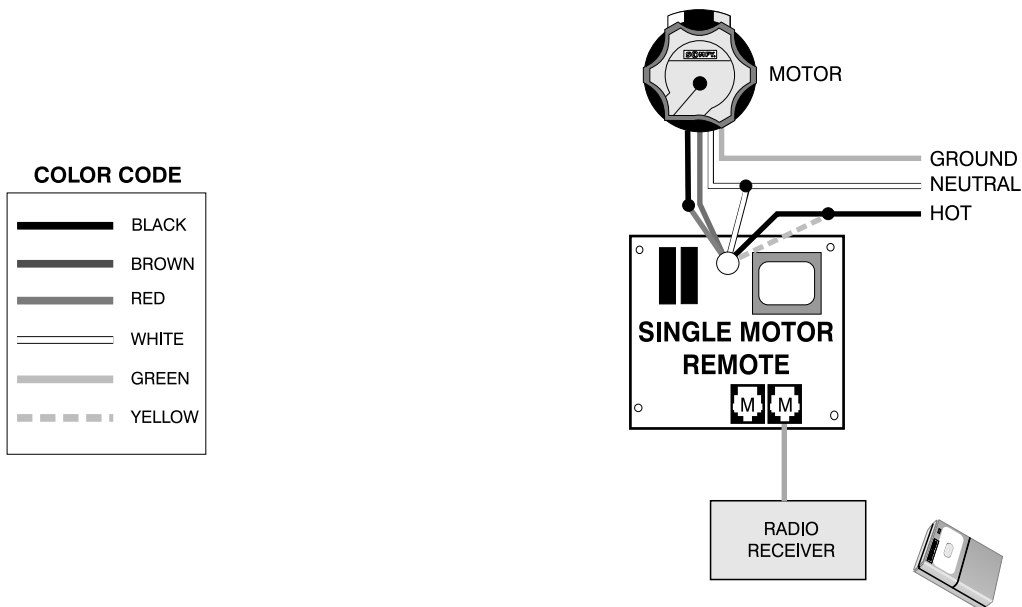
SOMFY SYSTEMS, INC.

47 Commerce Drive
Cranbury, NJ 08512

SOMFY MEXICO S.A. De C.V.

Calle 3 No.47, Loc.E-5
Fracc Ind. Alice Blanco
Nau.,Edo. de Mex C.P. 53370,Mex

WIRING SCHEMATIC



OPERATING INSTRUCTIONS

A. System Power Up

1. With power off, wire control as indicated above and on the previous page. Turn all circuit breakers on (Note: motors should not move).
2. Operate each motor using the radio transmitter or remote switch.
3. If the window treatment does not move UP or IN, turn breakers off and reverse red and brown wires at the appropriate motor.
4. If used, connect window alarm system or other dry contact to the normally closed (n-c) terminals. DO NOT remove factory installed jumper if this feature is not used.

B. Individual Motor Operation

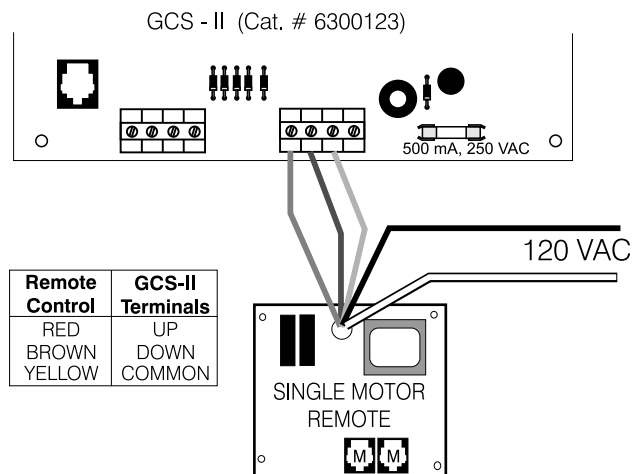
A single motor can be controlled from a remote switch or radio transmitter. Each press of the switch will sequence through the directions as follows;

- DEPRESS 1 UP DIRECTION
- DEPRESS 2 STOP
- DEPRESS 3 DOWN DIRECTION
- DEPRESS 4 STOP

SYSTEM VARIATIONS

A. REMOTE GROUP CONTROL

SOMFY'S Group Control System (GCS_II) can be controlled by radio remote by connecting the Single Motor Remote Control to the Low Voltage Switch Connector on the GCS-II. Please refer to the GCS-II instructions for more detailed wiring information.



B. Multi Motor Control

SOMFY'S Single Motor Remote Control can be configured to allow individual control of up to four motors. For multi-motor operation, the receivers should be placed at least 10 feet apart. A 2 channel transmitter can operate 2 motors, while a 4 channel transmitter will operate up to four.

