



DRAPERY MOTOR INSTALLATION

Model DR1000

Traverse Rod

Insure that the traverse rod is level and securely mounted to the wall. The rod brackets should be screwed into the wall studs or the appropriate type of fasteners should be used when anchoring the rod to other types of wall construction. **Motorized operation applies more strain on the rod, brackets, and mounting fasteners than manual cord-draw optaion.**

Cord

Only a No. 4 nylon cord with fiberglass core should be used. Check the cord carefully and replace it if it is frayed or worn. Manually operate the drapery to make sure that it draws smoothly and that the amount of effort required is proportionate to the size of the drapery.

COMPONENTS

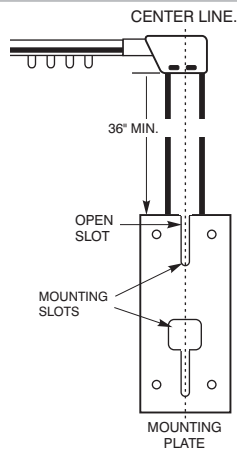
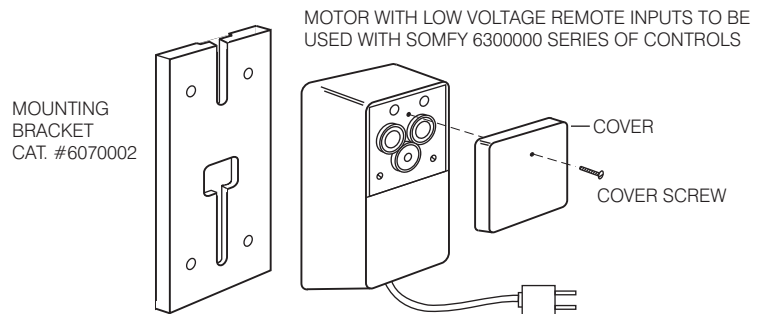


FIG. 1

Mounting Motor

For proper operation and maximum life of the cord and motor drive components, it is important that the drapery motor be mounted as specified below:

A plumb line should be used to ensure that the center line of the bracket coincides with the center distance between the cord outlets. See Figure 1. Ideally, the bracket should be concealed behind the drapery and about 72 inches below the rod. Do not mount the bracket less than 36 inches below the rod.

Position the bracket at the correct location on the wall. Using a pencil, mark the location of the four round mounting holes in the bracket. If the bracket will be mounted to drywall, drill a 1/8" diameter hole at each of the four marks. Using a hammer or the butt of a screwdriver, gently tap the drywall anchors provided into the wall. (Note: Do not pre-drill the wall where a mounting hole in the bracket is positioned over a stud.) Using the screws provided, screw the bracket to the wall with the open slot at the top. See Fig. 1.

Insert the two machine screws into the holes at the top and bottom of the drapery motor. See Fig. 2. Thread a retainer nut about two turns onto each screw. Mount the motor onto the bracket by simultaneously inserting the bottom retainer nut into the square hole on the front of the bracket and the top retainer nut into the slot at the top of the bracket. Position the motor on the bracket such that the top retainer nut is even with the top of the bracket. See Fig. 3. Slightly tighten the two screws.

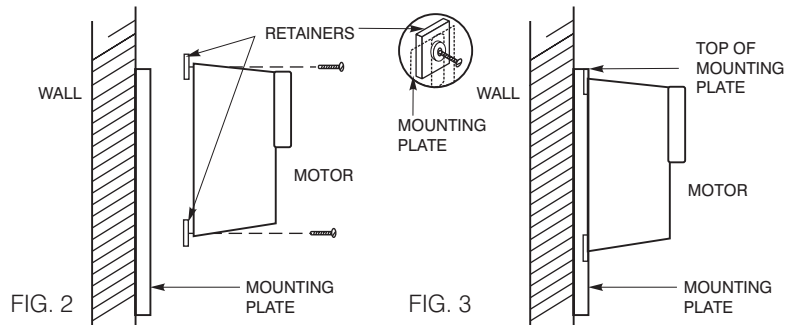


FIG. 2

FIG. 3

Remove the cover screw and cover from the front of the motor. Thread the cord loop through the drive wheels being careful not to crisscross the cords. See Figure 4. Remove the slack in the cord by adjusting length of cord at master carrier. Loosen the two motor mounting screws and lower the position of the motor on the bracket to achieve a slight tension in the cord. (Note: Excessive cord tension can shorten the life of the motor drive components.) Retighten screws until snug. Do not overtighten!

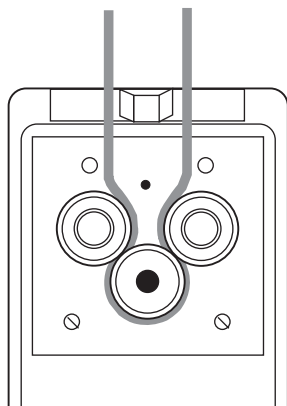


FIG. 4

Load Setting

Set the load switch on front of motor according to the chart at left. (Note: Use of excessive power places unnecessary stress on rod, brackets, and walls.) Replace the front cover and cover screw.

Suggested Settings

Rod Length	Light to Medium Fabric	Heavy Fabric
0' - 8'	Light (L)	Light (L)
8' - 12'	Light (L)	Light (L)
12' - 16'	Medium (M)	Medium (M)
16' - 20'	Medium (M)	Medium (M)
Over 20'	Heavy (H)	Heavy (H)

Operation

Plug in motor. (Note: To reduce the risk of electric shock, this equipment has a polarized plug (one blade is wider than the other). This plug will fit in a polarized outlet only one way. If the plug does not fit fully into the outlet, reverse the orientation of the plug. If it still does not fit, contact a qualified electrician to install the proper outlet. *Do not alter the plug in any way.*

The push button switch mounted on the front of the motor is convenient for testing the operation of the motor after installation. The push button operates the motor sequentially i.e. open, stop, close, stop, etc. Once the drapery reaches the full open or closed position, the motor will shut off automatically. If drapery does not open or close fully, adjust the load setting to the next highest position.

Internal Thermal Cut-Off Switch

Your drapery motor is designed for normal (intermittent) use only. Should the motor overheat as a result of excessive use, an internal thermal cut-off switch will be activated and shut off the motor for several minutes to prevent it from being damaged. Continually overheating the motor will shorten the life of the unit.

Optional Accessories (Contact your Somfy dealer for availability):

Description	Part Number
White, Decora Style Push Button Wall Switch (open, close, stop)	6301012
Ivory, Decora Style Push Button Wall Switch (open, close, stop)	6301013
Low-Voltage Modular Control Switch Cable (25')	6020367
Single Motor Infrared Remote Control Kit	6300876
Eight Motor Infrared Remote Control Kit	6300108
Replacement Tires (3)	6070000
X-10 Radio Remote Control Kit	6300613
X-10 Timer	6300815

Troubleshooting Guide

SYMPTOM	POSSIBLE CAUSE	ACTION
Motor does not run	No power at receptacle	Check circuit breaker or fuse. Insure receptacle is not controlled by wall switch.
	Motor Overheated	Wait for motor to cool
Motor does not traverse drapery	Cord jammed in traverse rod or motor drive mechanism	Service as required
	Drive wheels worn	Replace drive wheels
	Load setting too light	Adjust as required
	Improper size cord	Replace as required
	Motor loose on bracket	Adjust as required
Cord jams in drive mechanism	Cord not properly threaded through drive mechanism	Service as required
	Cover not secured properly	Service as required

Motor Specifications

Power: 120 VAC, 60 Hz, .84 Amp

Power Cord: 6' gray cord with two-prong polarized plug

Load: 75 lbs. Max. Fabric Weight

Switch: Integral low-voltage push button switch



www.somfysystems.com

SOMFY SYSTEMS, INC.

47 Commerce Drive
Cranbury, NJ 08512
Phone: 1-800-22-SOMFY

**SOMFY CANADA,
Division of SOMFY ULC**
6315 Shawson Drive, Unit #1
Mississauga, Ontario L5T1J2

SOMFY MEXICO, S.A. de C. V.

Calle 3 No. 47, Loc. E-5
Fracc Ind. Alce Blanco
Nau., Edo. de Mex C.P. 53370, Mex

SOMFY DISTRIBUTION CENTERS

SOMFY FLORIDA

6100 Broken Sound Pkwy. N.W., Suite 14
Boca Raton, FL 33487

SOMFY CALIFORNIA

520 West Central Ave., Suite A
Brea, CA 92821

SOMFY SYSTEMS, INC. reserves the right to update, change or modify these instructions without prior notice.
REF. #1600025