



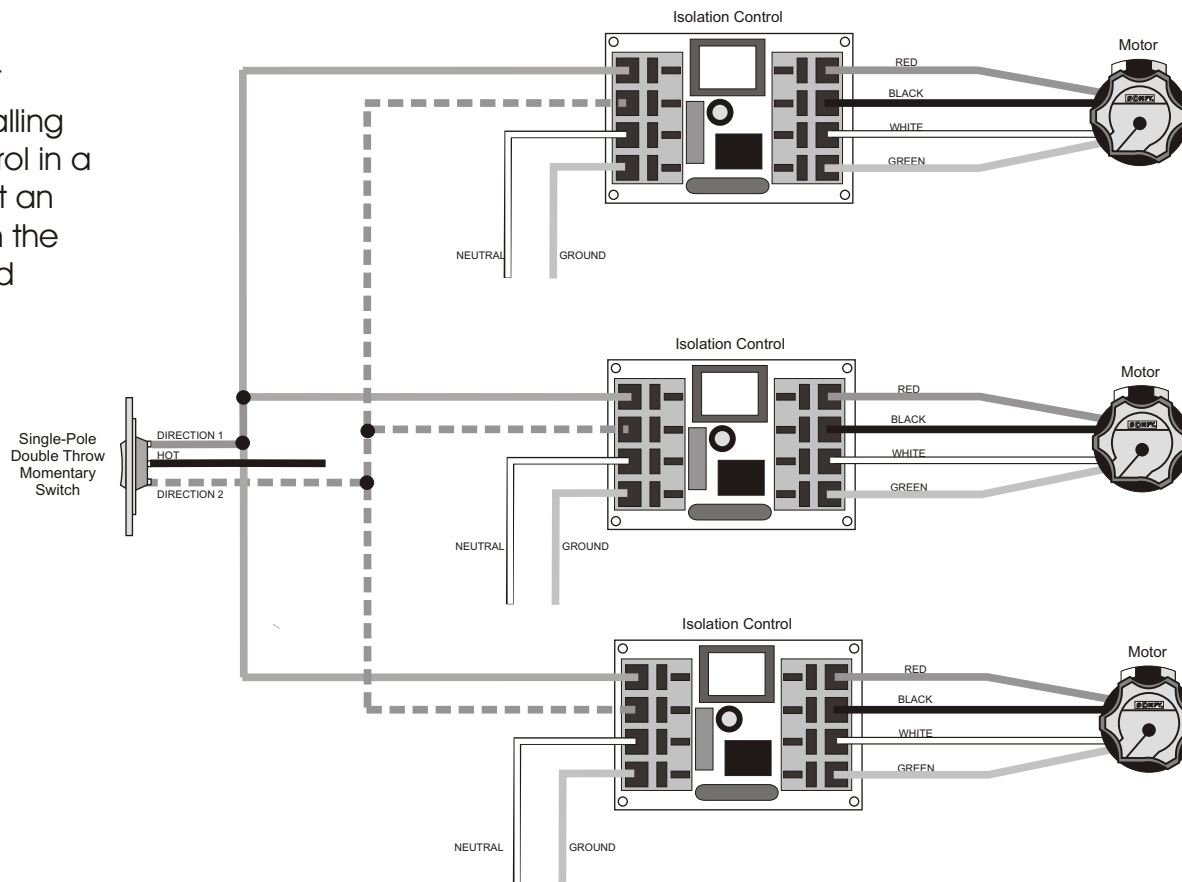
# ISOLATION CONTROL

## Wiring Diagram

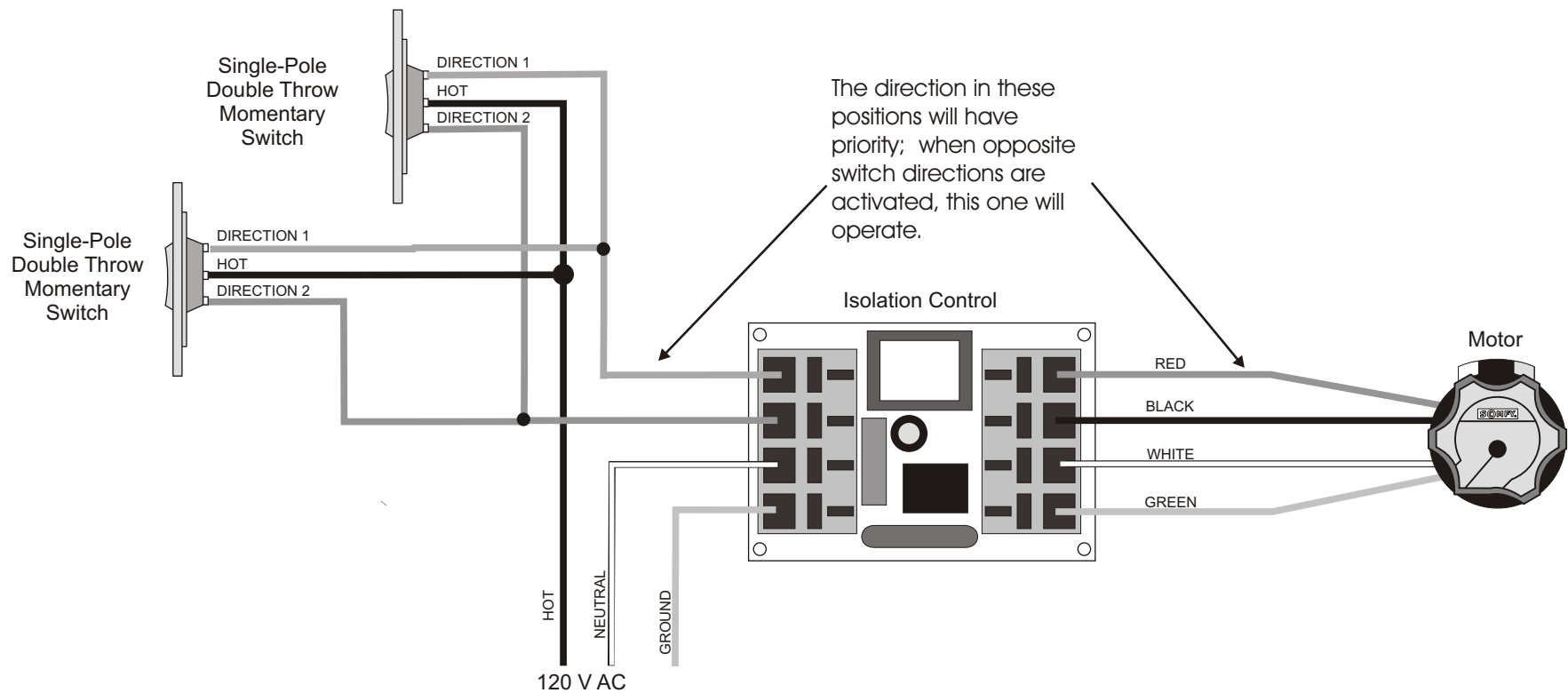
### DESCRIPTION

The Somfy Isolation Control (Part Number 6300105) should be used whenever a single switch is operating two or more motors. The control can be used on existing job sites where motors might be parallel wired. Using one Isolation Control per motor will keep the directions separated and protect the motor from damage. The control should only be used with Momentary Contact switches and 120V AC rated motors.

SOMFY DOES NOT recommend installing the isolation control in a metal box without an insulator between the control board and enclosure.



The Somfy Isolation Control can also be used whenever a single motor is operated by two or more switches. The control will keep the switches isolated and prevent both UP and DOWN directions from being activated simultaneously, thus protecting the motor. The control should only be used with Momentary Contact switches and 120V AC rated motors.



**SOMFY CANADA**  
6315 Shawson Drive, Unit #1  
Mississauga, Ontario L5T1J2

**SOMFY SYSTEMS, INC.**  
47 Commerce Drive  
Cranbury, NJ 08512

**SOMFY MEXICO S.A. De C.V.**  
Calle 3 No.47, Loc.E-5  
Fracc Ind. Alce Blanco  
Nau.,Edo. de Mex C.P. 53370,Mex